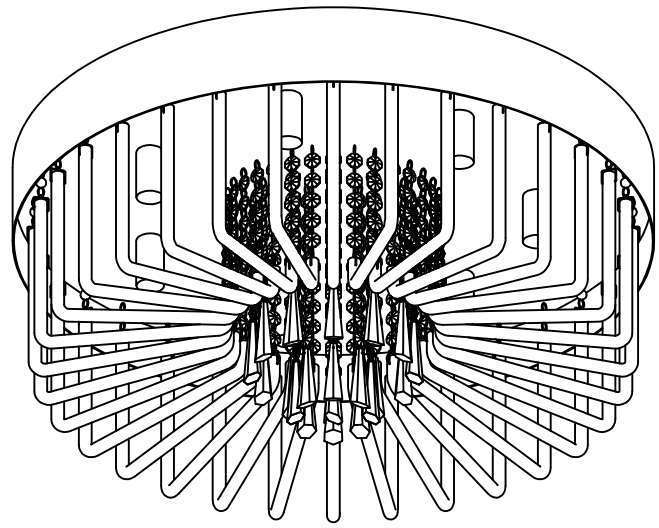
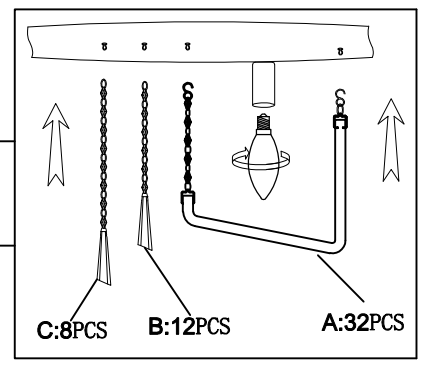
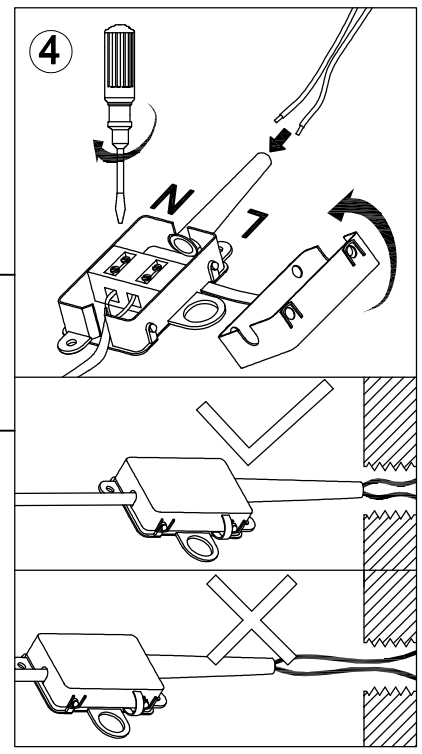
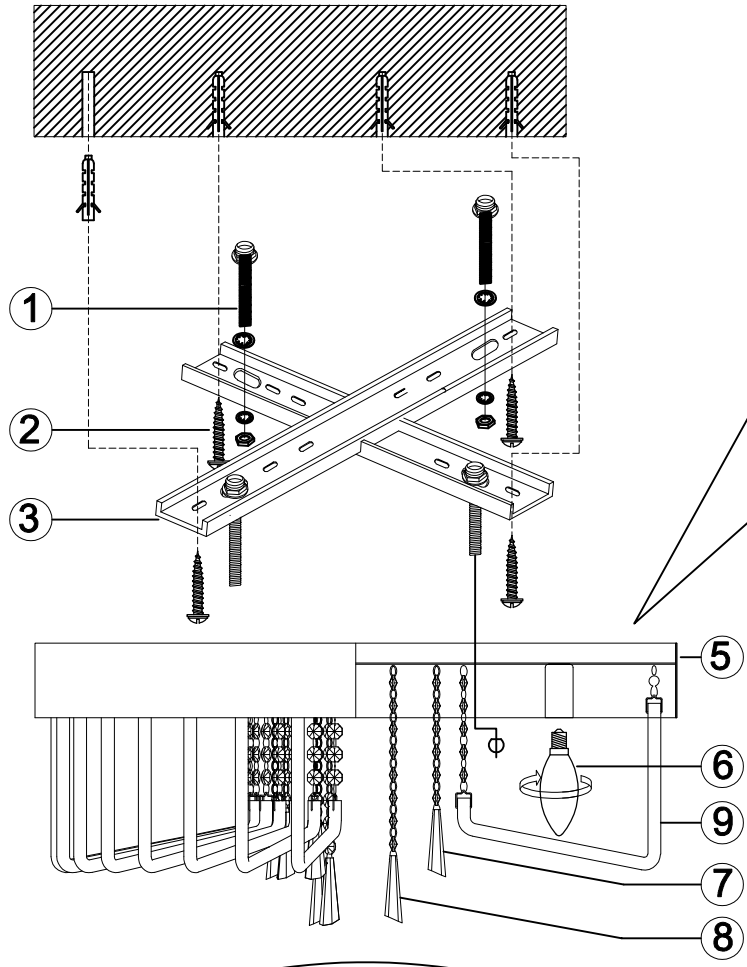


8x E14 MAX 40W  
220-240V~ 50/60Hz

**GLOBO**  
LIGHTING  
www.globo-lighting.com

**67343**

**B**



GLOBO Handels GmbH  
Gewerbestr. 3  
A-9184 Sankt Peter Austria  
www.globo-lighting.com  
office@globo-lighting.com

